

## Discover the Tranax Difference

In addressing the needs of financial institutions, Tranax makes its mission clear: to provide **essential banking functionality** at a low cost of ownership. With through-the-wall, kiosk, lobby, and off-premise installation options as well as flexible hardware and software configurations, financial institutions can seamlessly integrate Tranax ATMs into their self-service network.

### Why Tranax?

Uncompromised quality, unwavering dependability, and unparalleled customer service. The installation of 50,000 Tranax ATMs proves it. Our extensive experience supports it. Equipped with market driven innovations, Tranax is able to address all of our customers' needs. With Tranax, the difference is superior value.

# MBS5000 Series

Features	Specification		
Processor	CPU	800 MHz Pentium III equivalent	
	O/S	Windows XP Embedded	
	Memory	128MB - 512MB	
		16MB Disk On Chip	
	Drives	2.5" 20GB Hard drive	
		CD-R drive	
		3.5" 1.44MB Floppy drive (optional)	
	Communications	56K Modem	
		10/100 LAN	
	Peripheral	5 USB ports and 4 Serial ports	
2 PCI expansion slots			
Keyboard and mouse ports			
Customer Interface	Display	Type	10.4" LCD
		Resolution	SVGA, 800 x 600
		Brightness	Sun-viewable, 1750 cd/m <sup>2</sup>
	Input	16-key Encrypting PIN Pad (EPP)	
	Card Reader	8 Function display keys	
Receipt Printer	Type	Thermal	
	Speed	100mm/second	
Dispenser	Type	Spray	
	Speed	7 notes/second	
	Cassettes	Up to 3 2000-note cassettes	
	Dispense Capacity	50 notes/transaction	
	Reject Bin	200 note capacity	
Dimensions	Machine		56.4" H x 26.7" W x 27.5" D + throat
	Throat	Drive-up	2", 5.5", and 7.5"
		Walk-up	2", 8", and 10"
	Fascia	27.3" H x 25.7" W	
	Door Swing	Side: 90°, Rear: 134°	
	Weight	1200 lbs	
Security	Vault		UL 291 Level 1
	Dual Lock	Combination	La Gard COMBOGARD, Kaba Mas Cencon optional
		Key	La Gard key lock
Environment	Operating Temperature	Normal	25°F to 120°F
		With Heater	-30°F to 120°F
	Relative Humidity	10% to 90%	
	Power	110V/220V	

# MBS5000 Series

**essential**  
banking functionality



# Standard Features

The base model of the MBS5000 comes equipped with a wide variety of standard features, many of which are expensive options on other manufacturers' ATMs. With a complete suite of standard features including a sun-viewable monitor, the MBS5000 offers unparalleled value without sacrificing the needs of banks and credit unions.

- SERVICE PANEL**  
Configure and perform diagnostics and maintenance  
Accessible from service door
- THERMAL PRINTER**
- DIP STYLE CARD READER**
- PROCESSOR**  
800MHz Pentium III equivalent  
Hard disk drive  
CD-ROM drive  
Disk On Chip for electronic journaling  
Modem and Ethernet cards
- OPERATING SYSTEM**  
Microsoft Windows® XP Embedded  
WOSA/XFS compliant
- CONNECTIVITY**  
Dial-up, TCP/IP, and Wireless



MBS5000DS - Drive-up, side access

- BACKLIT PANEL**  
Add a logo for branding opportunity  
(Available on drive-up only)
- CUSTOMER DISPLAY**  
10.4" LCD  
SVGA (800 x 600) resolution  
Sun-viewable
- VOICE GUIDANCE**  
Accessibility for visually impaired  
Text-to-speech technology
- ENCRYPTING PIN PAD**  
Stainless steel keys  
Triple DES compliant  
Visa PED certification
- DISPENSER**  
Dispense currency and multimedia  
High speed friction feed  
2 2000-note cassettes

# Modular Design

Inherent in its modular design, the MBS5000 adapts easily to a facility's installation requirements. It can be deployed in a variety of locations, both through-the-wall and in a kiosk, as either a cash dispenser or a full function ATM.



MBS5000W - Walk-up, rear access

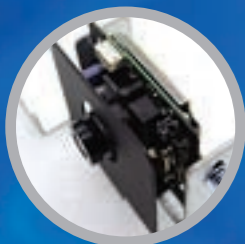


Mississippi Federal Credit Union, MS



Northwest Bank, IL

# OPTIONAL FEATURES



**SECURITY CAMERA**  
Internal digital camera  
Download images to USB memory drive



**PC ENGINE**  
256MB Memory upgrade  
Portable USB memory drive  
Floppy drive

**SOFTWARE**  
Terminal emulation software  
Remote Monitoring System (RMS)

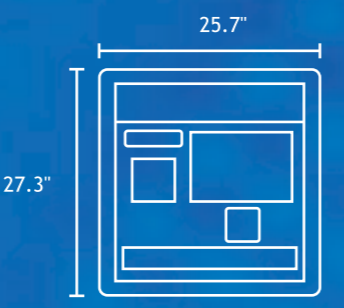
**CASH DISPENSER**  
3rd 2000-note cassette  
Motorized shutter

**AUTOMATED PRINT DEPOSITORY**  
Envelope depository for bills and checks  
Programmable print on envelope

**HEATER**  
Extend lower temperature limit to -30° F

# DIMENSIONS

Separate fascia configurations for drive-up and walk-up models ensure an ergonomic customer interface.

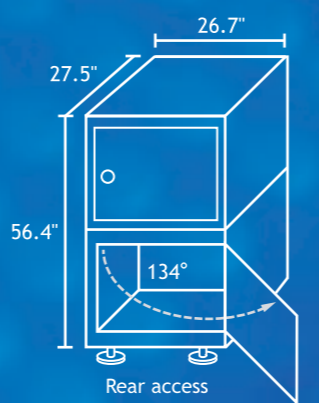


MBS5000D Fascia

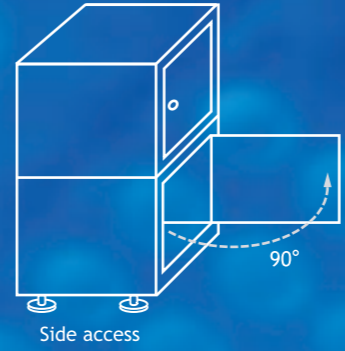


MBS5000W Fascia

Both the drive-up and walk-up are available with rear vault access. Additionally, the drive-up is offered with side vault access.



Rear access



Side access

# Tranax Spectrum



Tranax's emulation software, provides plug compatibility on most banking ATM networks. The software emulates other manufacturers' message formats, providing turnkey ATM replacement solutions for banks.

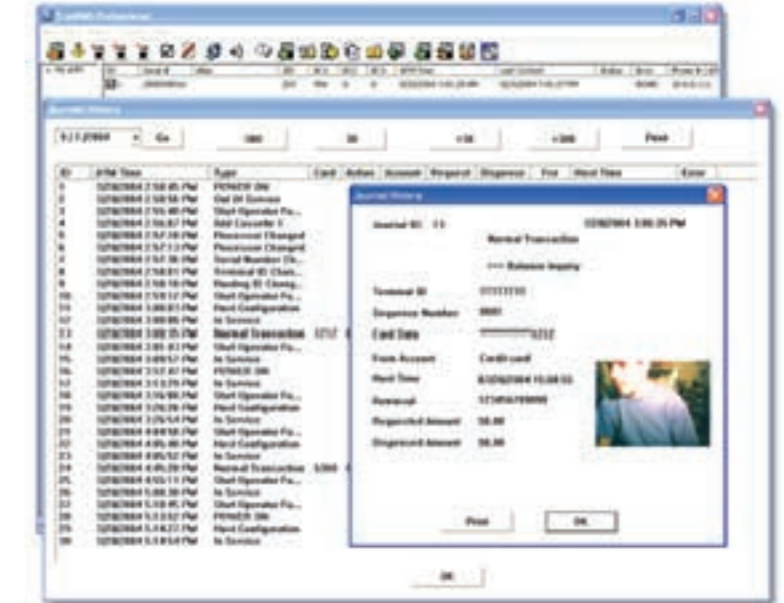
The software also provides the ability to customize transactions screens resulting in a graphically enhanced user interface.



Easy to navigate interface allows the operator to select which customized graphics to display.



Customized receipts also provide additional marketing and branding opportunities.



Remote monitoring and cash management are key to ensuring a reliable network of ATMs. Tranax's remote monitoring system, provides an online and desktop platform for retrieving and archiving journal records, matching security photos to transactions, obtaining ATM status and configuration information, scheduling cash replenishment, and transferring files and software updates to the ATM. Currently available with Diebold CSP, Triton standard, and Tranax message formats.

# SERVICE & MAINTENANCE

## National Service Network

Tranax delivers expert service and maintenance provided by factory-trained technicians through our Banking Business Partners (BBPs). We provide and require extensive, on-site product training for all Banking Authorized Service Providers. Every MBS5000 comes with the peace of mind from knowing that it is supported by a national service network of dealers selected for their experience and ability.